

ECOSTORE CL & BL h650

Remote Freezer

Left side cooling unit

Type reference	Ref	Page	Description	Brand
H6NBT2R	a	3 to 12	Counter 2 compartments refrigerated CL & BL 650	all
H6NBT3R	b	3 to 12	Counter 3 compartments refrigerated CL & BL 650	all

Index

	Page
Identification Type Ref./Identificazione type Ref.	2
Body module/corpo armadio	3
Spare part list/Lista ricambi	4
Cooling unit Freezer/GruppoFreezer R404a	5
Spare part list/Lista ricambi	6
Top/Ripiano	7
Spare part list/Lista ricambi	8
Door and drawers/ Porte e cassetti	9-10
Spare part list/Lista ricambi	11
Control panel/Pannello di controllo CL	12
Spare part list/Lista ricambi	13

...Bold= last change/Grassetto =ultima modifica

BL= Benefit line
CL= Concept line

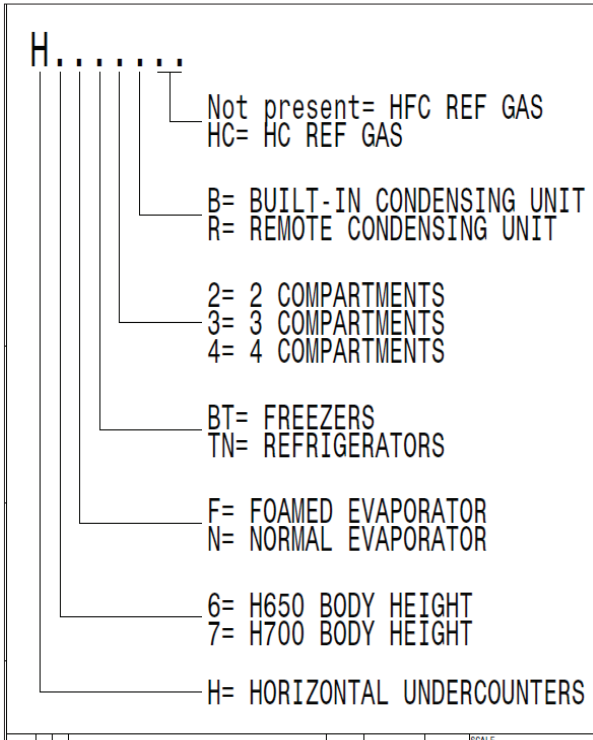
Rev. 3

From Ser. Nr.... Up to Ser. Nr....	Ed. 2018-04 Updated 2023/07	Page: 1	Doc No:595R41800
---------------------------------------	--------------------------------	---------	------------------

How to put in relation the “Type Ref.” reported on the data plate with the “Type reference” reported on the front page of the Spare Part Catalogue:

The “Type Ref.” represents a group of models/brands all with similar technical features, hence possible to be reported under the same scheme in terms of exploded views.

Find below an identification example: **H7NTN2BHC**



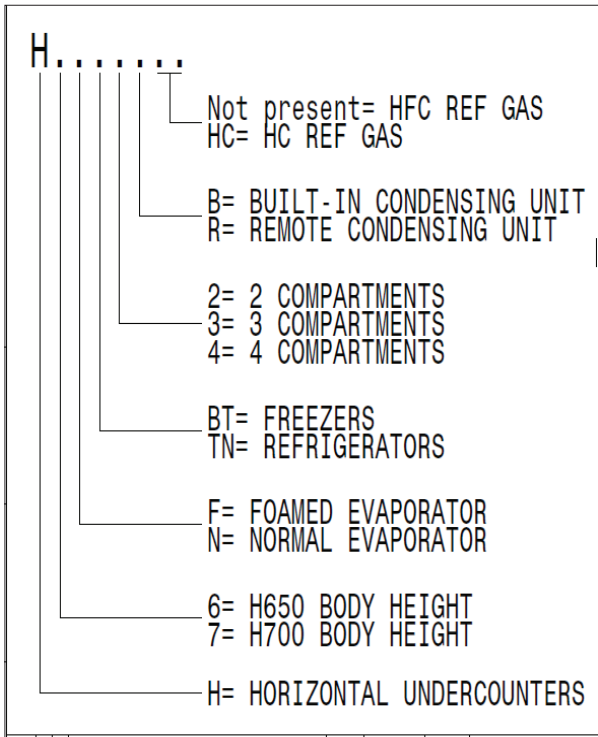
F. Mod. EH2H7AA	Comm. Mod. EH2H7AA	Type Ref. H7NTN2BHC	2017
PNC 9VTX 710000 00	Ser. No. 70810001	Cyclopentane	
W Tot. 0.25 kW	Volt 220-240 V	1 ~ 50 Hz	Total Current 1.9 A
Potenza Sbrinamento / Defrost Power	0.29 kW	Classe/Class 5	GWP 3 CO2-eq 0 t
Resistenza Evaporazione/Evaporation Heater El.	kW	Refrigerante / Refrigerant R290	0,07 kg.
Illuminazione / Lighting	W	Cap. 240	MADE IN ITALY
NF nominal Charge			
Rated Pressure	MPa		
IP21			
Electrolux Professional SpA - Viale Treviso, 15 - 33170 Pordenone (Italy)			

For the right spare code identification follow the steps:

1. type in the website the PNC reported on the data plate.
2. The website will automatically display this spare part catalogue.
3. The spare part code at this point is referenced through the “Type reference” as from the front page by the relevant “Ref”.

Come mettere in relazione il “Type Ref.” Riportato sulla targhetta caratteristica con il “Type reference” riportato sul frontespizio del catalogo ricambi:

Il “Type Ref.” Rappresenta un gruppo di modelli/marchi con simili caratteristiche tecniche, ossia possibili da rappresentare con il medesimo schema in termini di vista esplosa.



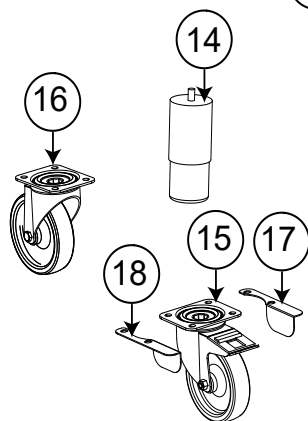
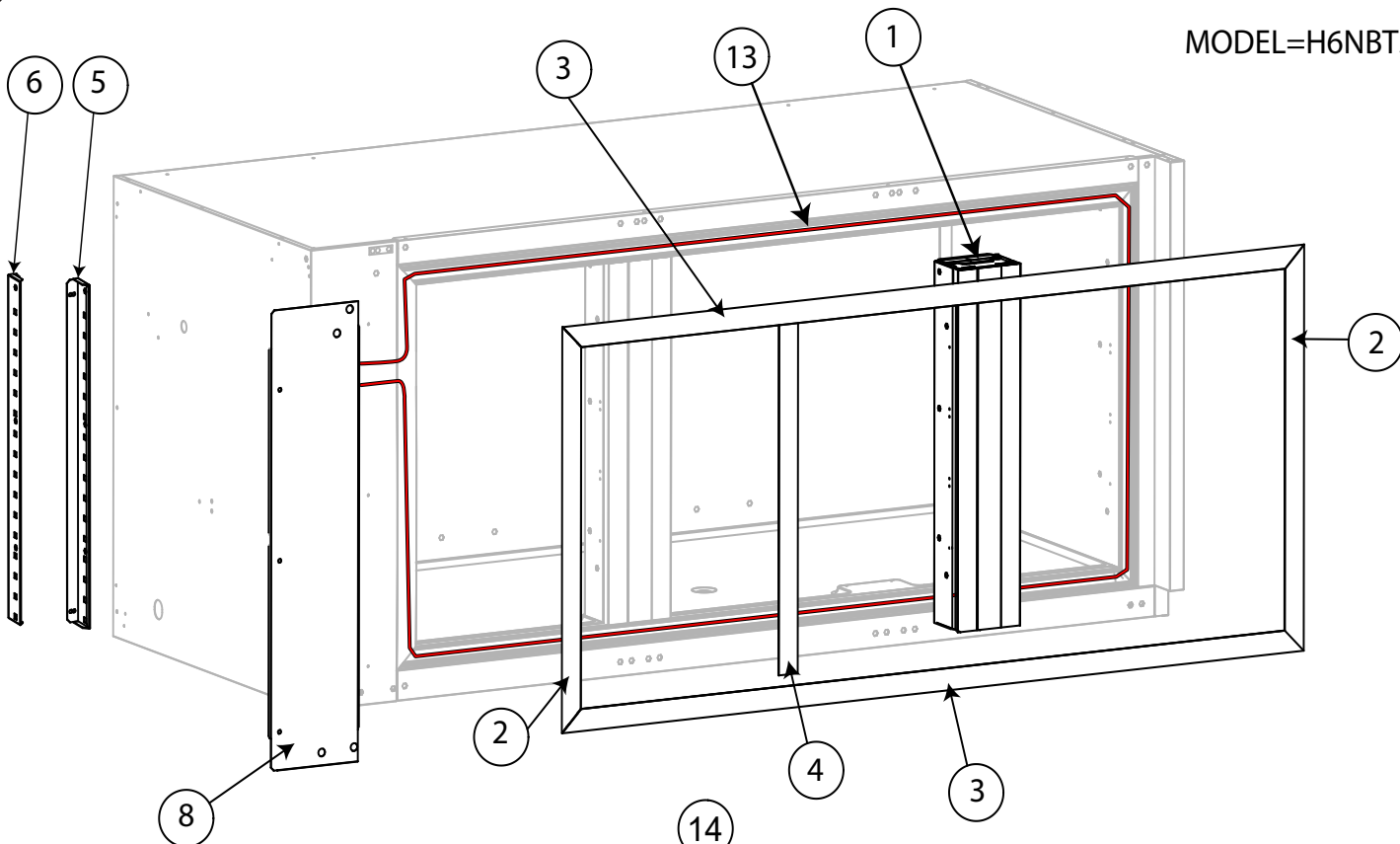
Qui di seguito un esempio di identificazione: **H7NTN2BHC**

F. Mod. EH2H7AA	Comm. Mod. EH2H7AA	Type Ref. H7NTN2BHC	2017
PNC 9VTX 710000 00	Ser. No. 70810001	Cyclopentane	
W Tot. 0.25 kW	Volt 220-240 V	1 ~ 50 Hz	Total Current 1.9 A
Potenza Sbrinamento / Defrost Power	0.29 kW	Classe/Class 5	GWP 3 CO2-eq 0 t
Resistenza Evaporazione/Evaporation Heater El.	kW	Refrigerante / Refrigerant R290	0,07 kg.
Illuminazione / Lighting	W	Cap. 240	MADE IN ITALY
NF nominal Charge			
Rated Pressure	MPa		
IP21			
Electrolux Professional SpA - Viale Treviso, 15 - 33170 Pordenone (Italy)			

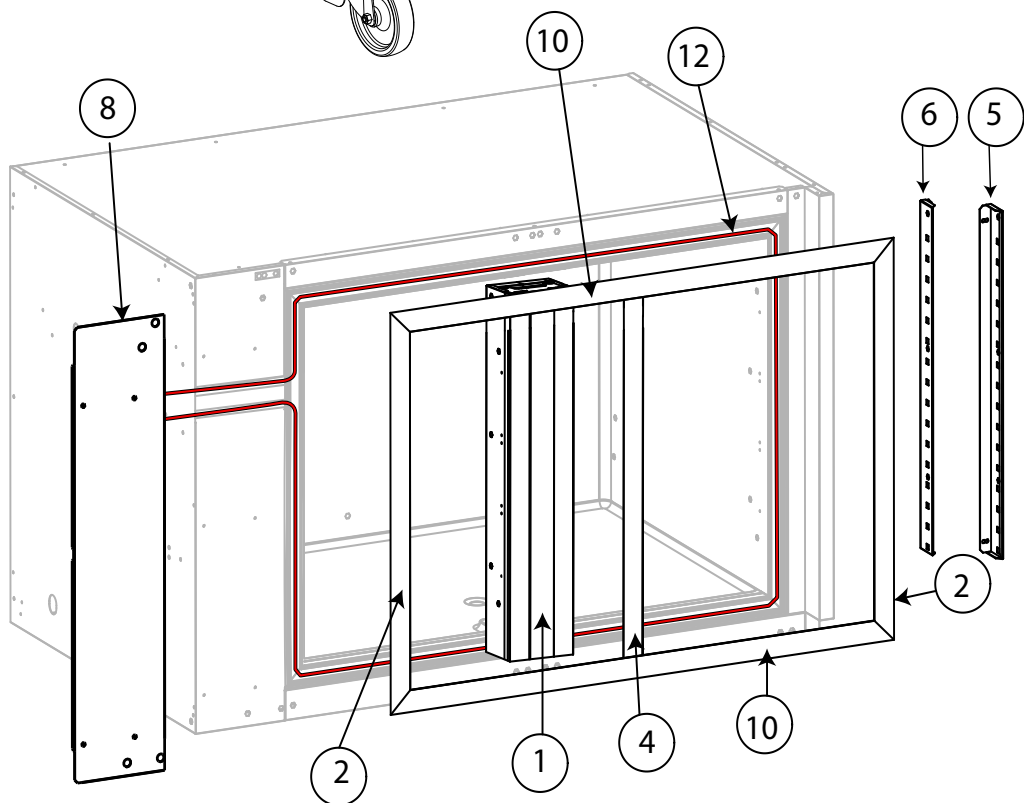
Per identificare il corretto codice ricambio procedere con:

1. Digitare nel website il PNC riportato sulla targhetta caratteristica.
2. Il website mostrerà automaticamente questo catalogo ricambi.
3. A questo punto, il codice ricambio è identificabile attraverso il “Type reference” come indicato nel frontespizio sotto la relativa voce “Ref”.

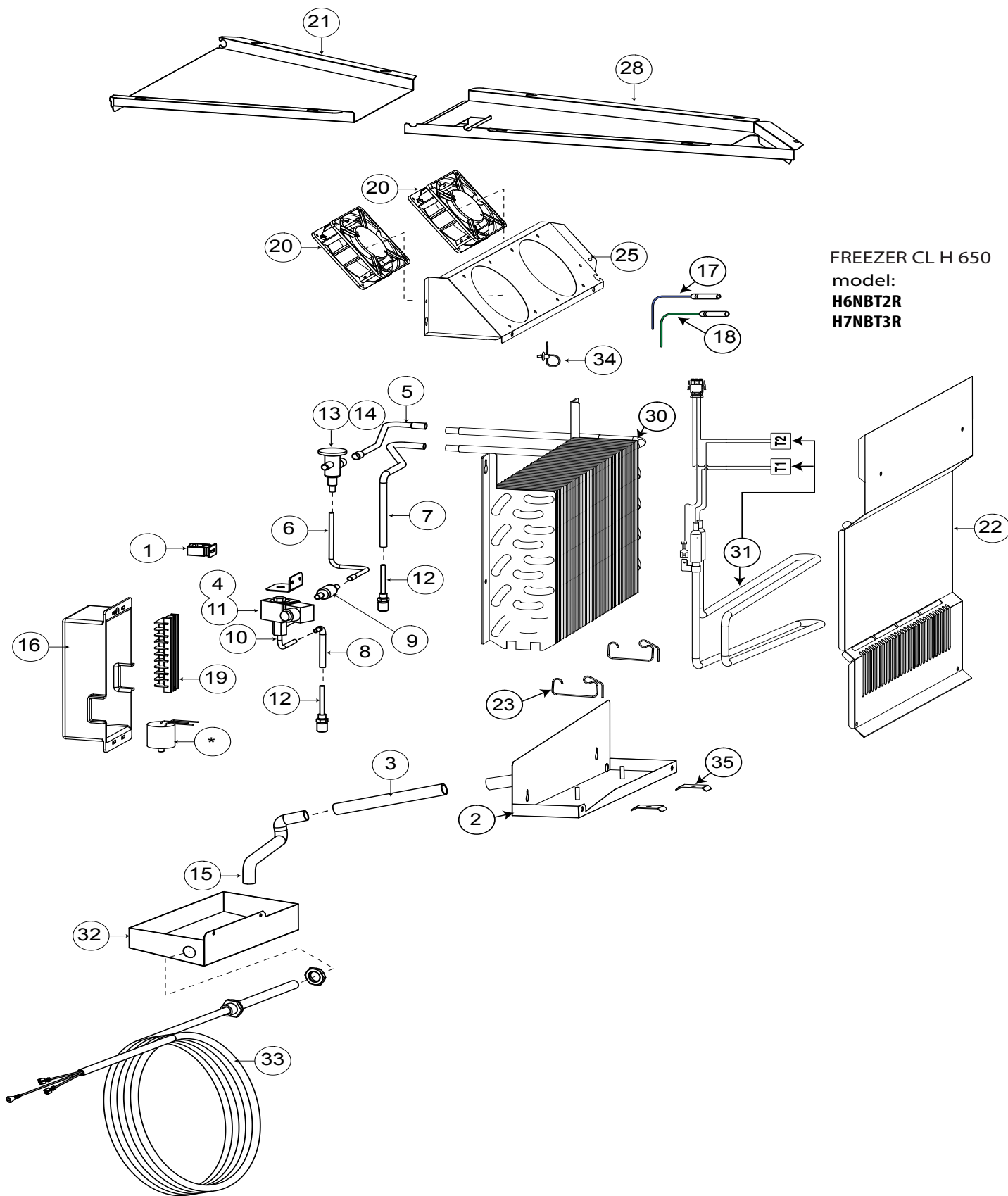
MODEL=H6NBT3R



MODEL= H6NBTR

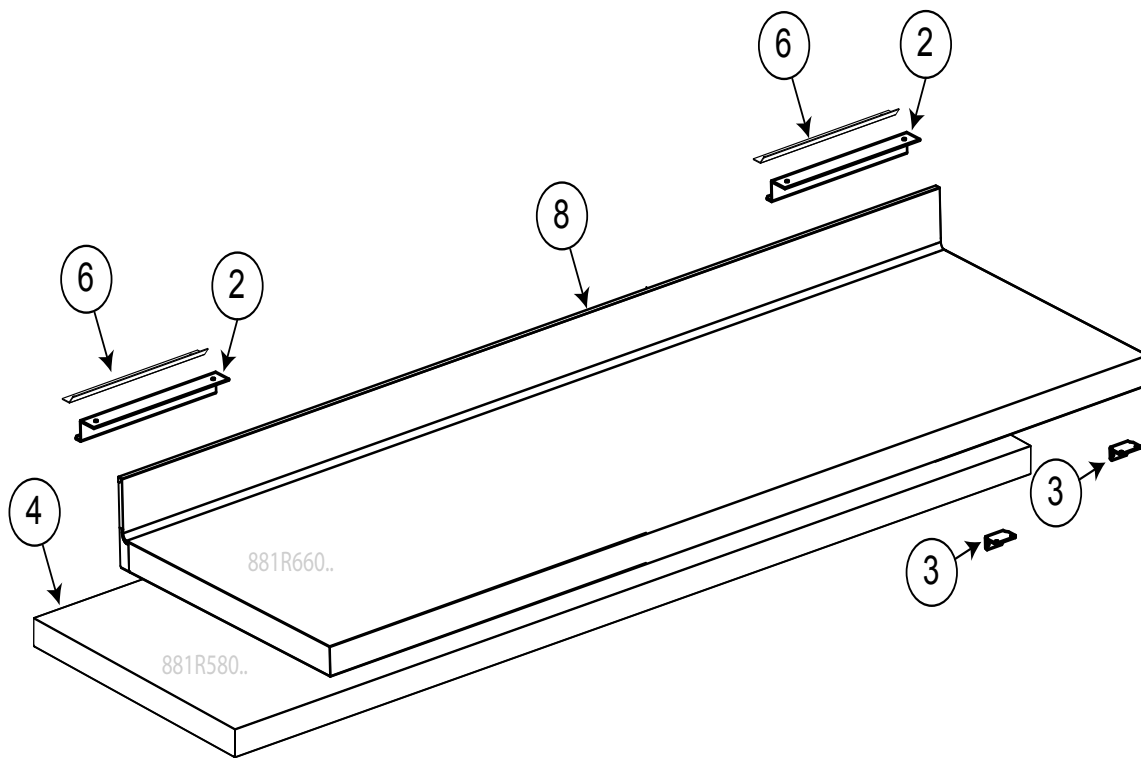


Pos	Code	Factory code	Description	Descrizione	Ref/notes
Reference pag.3					
Body Assembly			Corpo schiumato		
1		835R68001	FOAMED VERTICAL PILLAR ASSEMBLED	MONTANTE ASSEMBLATO	Up to 2019/38
1		835R67801	FOAMED VERTICAL PILLAR ASSEMBLED	MONTANTE ASSEMBLATO	From 2019/39
2		543R21800	VERTICAL FRAME COVER	COPERCHIO CORN.VERT. TAV BT	
3	095253	543R19500	HORIZONTAL FRAME COVER	COPERCHIO CORN ORIZZ TAV 3V BT	b
4		543R21900	VERTICAL FRAME FOR PILLAR	CORNICE VERTICALE MONTANTE	
5		503R75100	REAR RIGHT SUPPORT GRIDS H650	SUPPORTO POSTERIORE DX	
6		503R75200	REAR LEFT SUPPORT GRIDS H650	SUPPORTO POSTERIORE SX	
8		503R65300	FRONT COVER PANEL SIDE (left)	PANNELLO FRONTALE sinistro A304	
10	095254	543R19400	HORIZONTAL FRAME COVER	COPERCHIO CORN ORIZZ TAV 2V	a
12	095649	617R23200	FRAME HEATING CABLE 2V L 4140 mm	CAVO RISCALDANTE CORNICI 2V	a only door (5W/M)
12	095658	617R21300	FRAME HEATING CABLE 2V L 4970 mm	CAVO RISCALDANTE CORNICI 2V	a 1 door_2 1/2 draw. (5W/M)
12	095659	617R21500	FRAME HEATING CABLE 2V L 5800 mm	CAVO RISCALDANTE CORNICI 2V	a 4 1/2 draw. (5W/M)
13	095650	617R23400	FRAME HEATING CABLE 3V L 6020 mm	CAVO RISCALDANTE CORNICI 3V	b only door (5W/M)
13	095660	617R21700	FRAME HEATING CABLE 3V L 6850 mm	CAVO RISCALDANTE CORNICI 3V	b 2 door_2 1/2 draw. (5W/M)
13	095661	617R21800	FRAME HEATING CABLE 3V L 7680 mm	CAVO RISCALDANTE CORNICI 3V	b 1 door_4 1/2 draw. (5W/M)
13	095662	617R21900	FRAME HEATING CABLE 3V L 8510 mm	CAVO RISCALDANTE CORNICI 3V	b 6 1/2 draw. (5W/M)
14	091610	0518R01100	FOOT H 150 WITH CENTRAL SCREW	PIEDE VITE CENT.+ RIVEST.INOX H150	
15	087110	0835739900	WHEEL WITH BRAKE	RUOTA A PIASTRA ROT. CON FRENO	
16	087111	0835740000	WHEEL WITH-OUT BRAKE	RUOTA A PIASTRA ROT. SENZ. FRENO	
17	095324	503R38501	RIGHT WHEEL LEVER BRAKE	FERMO RUOTA DESTRO	KIT 2 + 2 WITH SCREWS CODE 881R70901
18	095325	503R38601	LEFT WHEEL LEVER BRAKE	FERMO RUOTA SINISTRO	

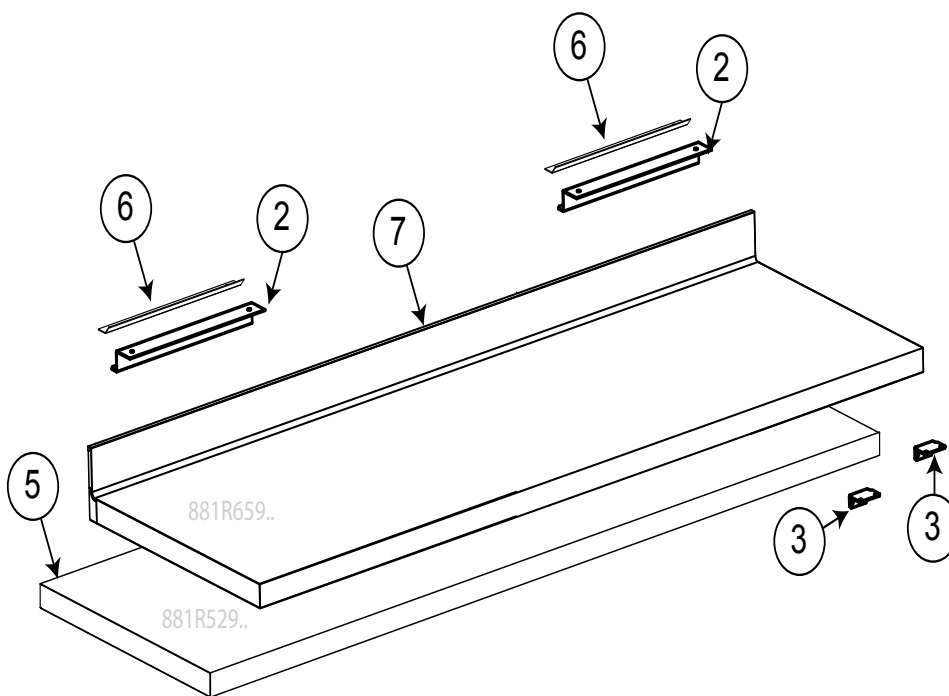


FREEZER CL H 650
 model:
H6NBT2R
H7NBT3R

Pos	Code	Factory code	Description	Descrizione	Ref/notes
REMOTE Cooling unit 2-3comp.			Gruppo REMOTO 2-3 vani		
1	094127	0639700500	CABLE STOPPER	FERMACAVO	
2	095362	0502R93301	WATER COLLECTOR BASIN "left"	BACINELLA EVAPORATORE sx	
3		0544R06400	EXTENSION PIPE WATER BASIN	TUBO SCARICO ACQUA EVAP BAC	
4	095452	0635R31900	ELECTROV.HARNESS LEGHT 900MM	CABLAGGIO ELETRO VALVOLA	
5		0515R35000	PIPE FROM TERM. VALVE TO EVAP.	TUBO DA TERM. A EVAPORATORE	
6		0515R34500	PIPE FROM TERM. VALVE TO S.NOID	TUBO DA TERM. A VALVOLA SOLEN.	
7		0515R34600	EVAPORATOR FLOW BACK PIPE	TUBO DI RITORNO EVAPORATORE	
8		0515R20000	INLET PIPE TO SOLENOID VALVE	TUBO INGRESSO VALVOLA SOLEN.	
9	090229	0525719000	MECHANICAL FILTER REFRIGERANT	FILTRO MECCANICO A RETINA	
10	087694	0646735000	BODY SOLENOID VALVE WITH COIL	CORPO VALV.SOLENOIDE CON BOB.	
11	085847	0646729100	COIL WITHOUT CONNECTION	BOBINA PER VALVOLA SOLENOIDE	Up to 2020/26
11	095063	0646R14000	COIL WITHOUT CONNECTION	BOBINA PER VALVOLA SOLENOIDE	From 2020/27
12	0A8171	0A02021800	SCHRADEN 4.00.10/2 RECHARGE.	VALVOLA DI RICARICA	
13	095541	0646R13900	THERMOSTATIC VALVE FREEZER.	VALVOLA TERMOSTATICA	gas R448A,R449A,R407C
13	087334	0646741000	THERMOSTATIC VALVE FREEZER	VALVOLA TERMOSTATICA	gas R404a, R452a
13		0652F00000	THERMOSTATIC VALVE FREEZER	VALVOLA TERMOSTATICA	gas R407A
14	089614	0565717800	INSULATION VALVE	ISOLANTE X VALVOLA TERMOST	
15	095458	0544R07300	PIPE SIPHON left	SIFONE SCARICO ACQUA SX	
16		0549727400	ELECTRICAL BOX COVER	SCATOLA PROTEZIONE IMP. ELET	
17	092175	0646R06900	NTC PROBE 6X20 BLU 'CELL' L=3000	SONDA CELLA BLU	
18	096125	0646R07701	NTC PROBE 6X40 VERDE 'DEF' L=3000	SONDA EVAPORATORE VERDE	
19	093599	639R10000	TERMINAL BOARD ASSEMBLY	MORSETTIERA	
20	095315	0682R10700	AXIAL AC FAN	VENTILATORE CELLA	
21		0503R38900	COMMON PART AIR CONVEYOR	CONVOGLIATORE ARIA COMUNE	
22	096137	0503R72000	EVAPORATOR COVER H650 "LEFT"	PROTEZIONE EVAPORATORE SX	
23	095279	0514R24201	SPRING FOR RETAINING HEATER	MOLLA F IX. RESISTENZA TAV NGC TN	
25	095359	0503R01203	FAN SUPPORT EVAPORATOR	SUPPORTO VENTILATORE CELLA	
28		0503R38400	END PART AIR CONVEYOR	PARTE FINALE CONV. ARIA	b with drawer
30		0503R15700	EVAPORATOR FREEZER LEFT	EVAPORATORE CONGELATORE SX	
31	095648	0856R29700	ARMORED HEATING WITH CONNEC	RESISTENZA CON TERMOSTATI	bi power (220W Up_130W low) T1 8°C T2 8°C Up to 2021/28
31	096650	830R02W00	ARMORED HEATING WITH CONNEC	RESISTENZA CON TERMOSTATI	bi power (220W Up_130W low) T1 8°C T2 8°C From 2021/29
32	091356	0512701800	EVAPORATION BASIN	BACCINELLA DI EVAP. CONDENSA	KIT F880028
33	083814	617R03800	PTC EXTERNAL	PTC	KIT F880028
34	095928	0C03010591	CLIPS	CLIPS	
35	095282	0503R29200	ARMORED HEATER FIXING BRAKET		
36					
37					



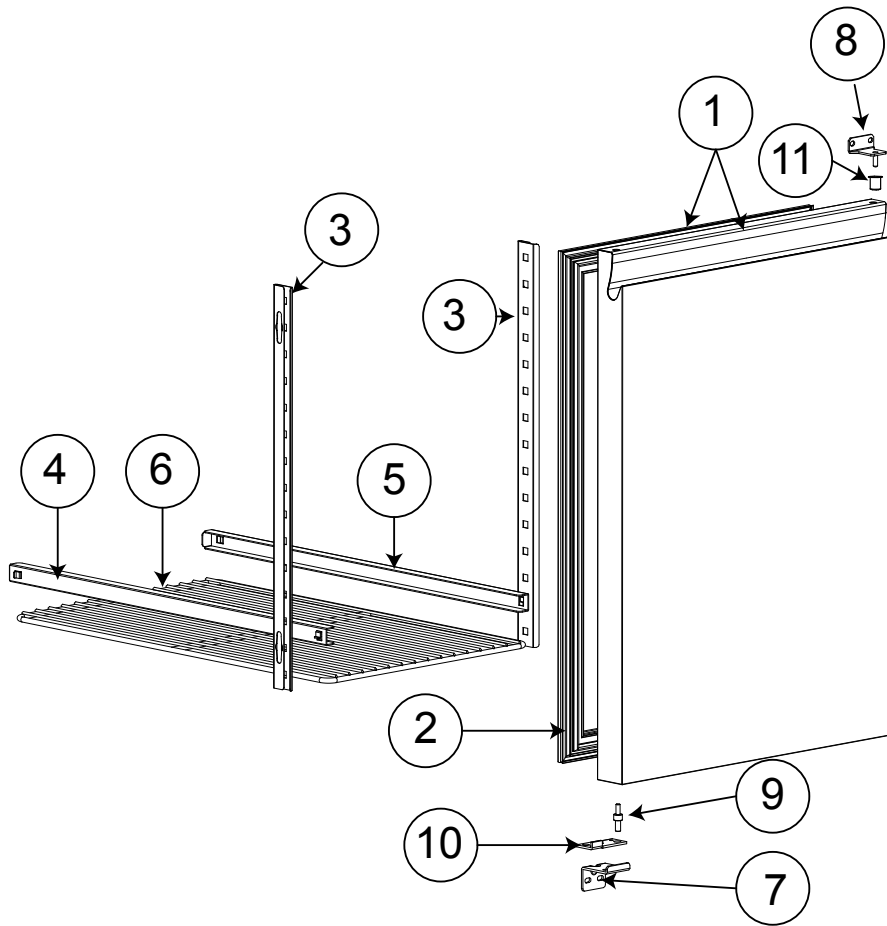
MODEL= H6NBT3RHC



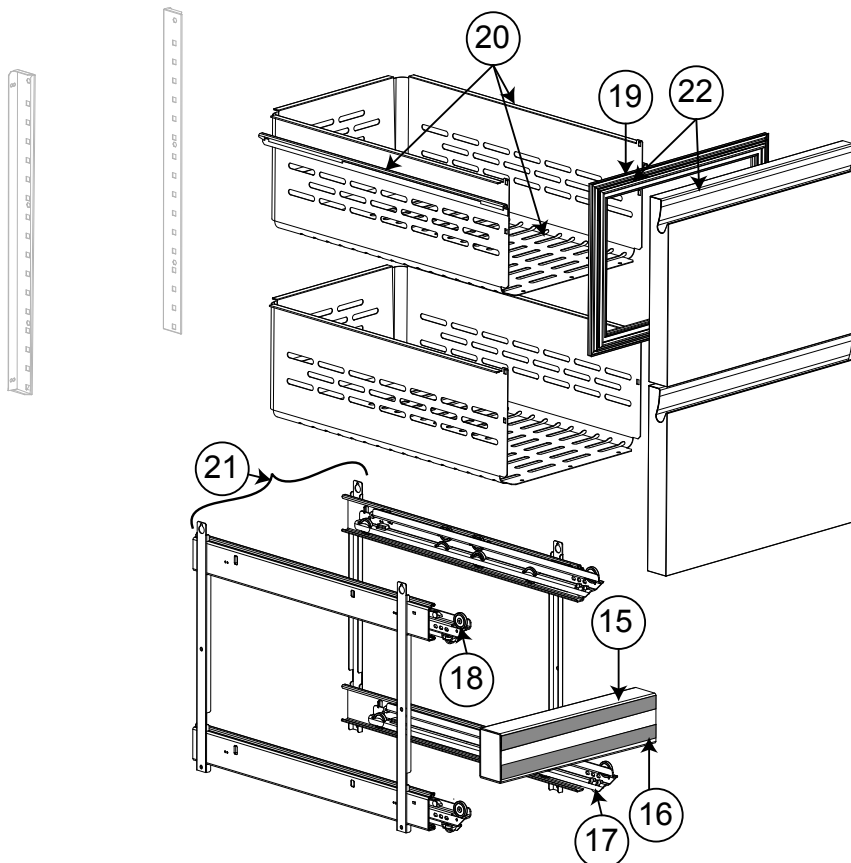
MODEL=H6NBT2RHC

Pos	Code	Factory code	Description	Descrizione	Ref/notes
reference pag.7					
Worktop			Top		
2		501775700	HOOK FOR TOP	GANCIO PER RIPIANO	
3	095330	505R25301	BRACKET SHELF	STAFFA PER RIPIANO	
4		882R19201	WORKTOP MODULE 3C H50 "R"	TOP 3 VANI H 50 DX	b (wihtout S.back)
4		881R67201	WORKTOP MODULE 3C H50 "R-L"	TOP 3 VANI H 50 DX-SX	b (wihtout S.back)
5		882R19601	WORKTOP MODULE 2C H50 "R"	TOP 2 VANI H 50 DX	a (wihtout S.back)
5		881R67101	WORKTOP MODULE 2C H50 "R-L"	TOP 2 VANI H 50 DX-SX	a (wihtout S.back)
6	093186	505751500	HOOK FOR TOP ON THE COUNTER	FISSAGGIO RIPIANO AL TAVOLO	
7		882R19701	WORKTOP ASS. WITH 2C	TOP CON ALZATINA 2 VANI DX	a (whit S.back)
8		882R19301	WORKTOP ASSEMBLY 3C	TOP CON ALZATINA 3 VANI DX	b (whit S.back)
9					
10					

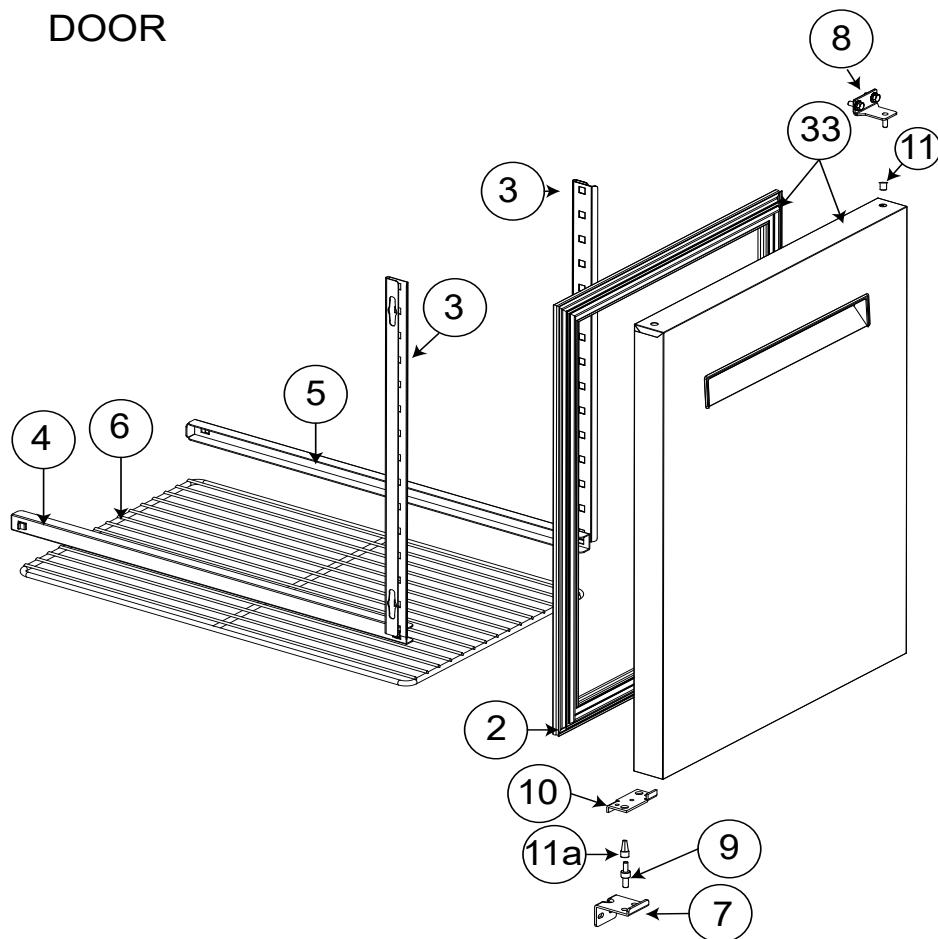
APX H650
DOOR



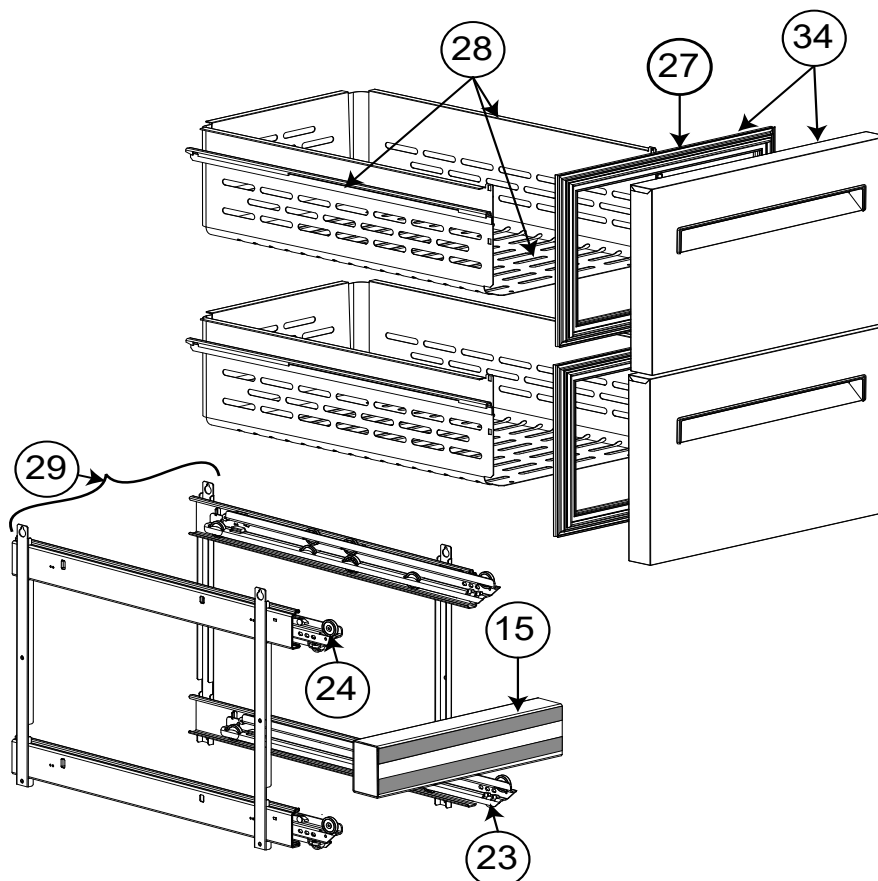
APX H650
DRAW. 1/2



**BL H650
DOOR**



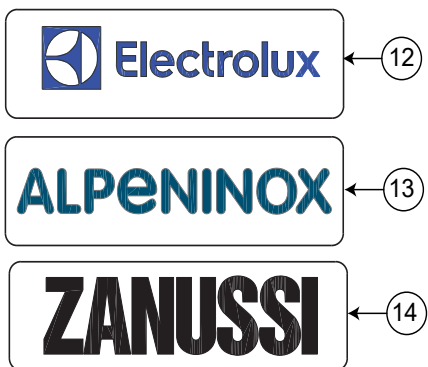
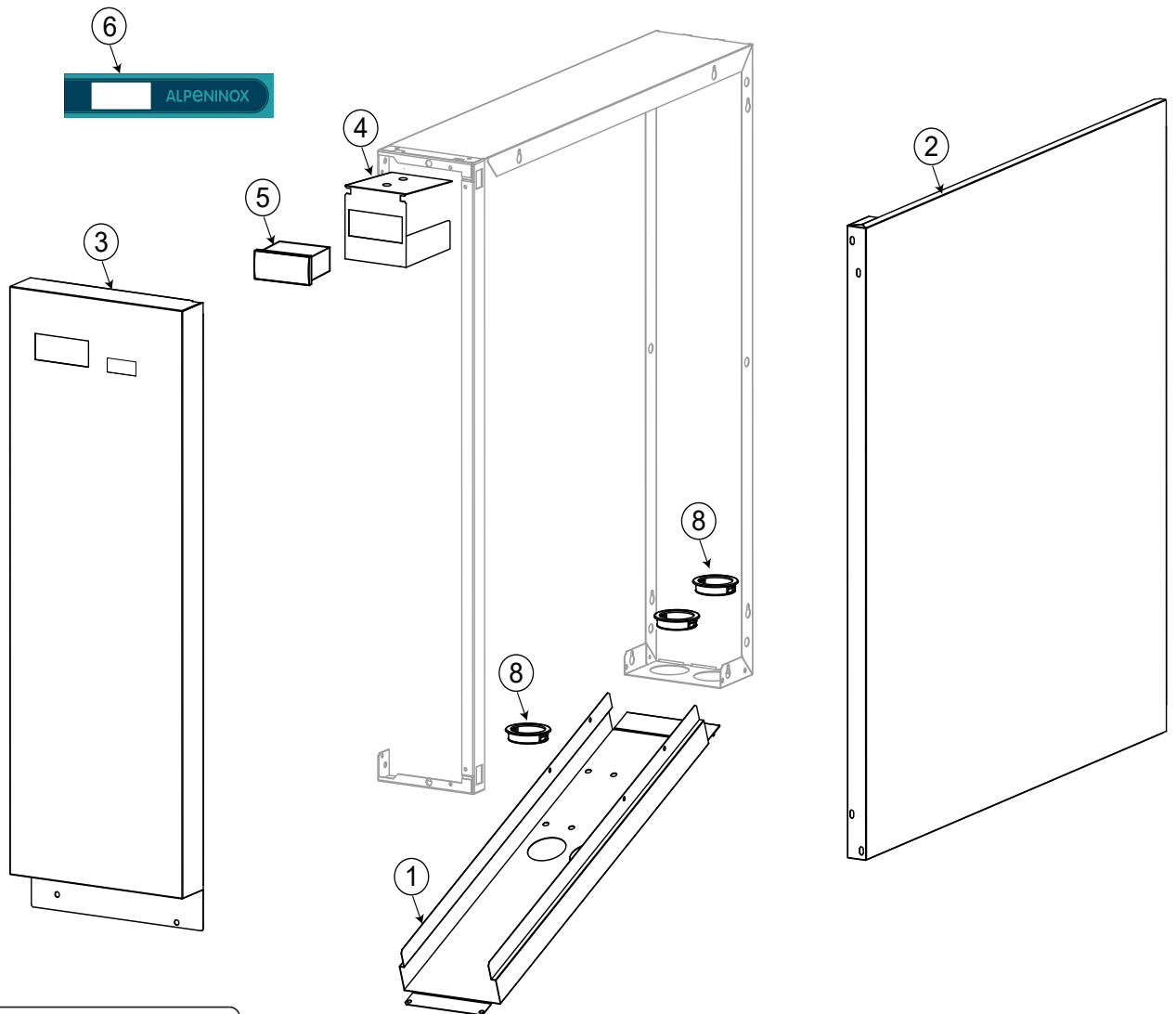
**BLH650
DRAW.1/2**



Pos	Code	Factory code	Description	Descrizione	Ref/notes
reference pag. 9-10					
Doors and Drawers			Porta e Cassetti		
1	095832	835R63802	FOAMED D. ASSEMBLY H700 apx/zan	PORTA SCHIU. CON GUARNI.APX_ZAN	CL Apx
2	095657	548R11400	MAGNETIC GASKET H650	GUARNIZIONE PORTA	
3	095227	503R09702	FRONT SUPPORT GRIDS H700	FRONTALE SUPPORTO GUIDE	
4	095228	502R84601	LEFT GUIDE FOR SHELF	GUIDA A "C" SX TAV NGC H700/H650	
5	095229	502R84701	RIGHT GUIDE FOR SHELF	GUIDA A "C" DX TAV NGC H700/H650	
6	095231	514R23500	SHELF	GRIGLIA RILSAN TAVOLO H650/H700	
7	095326	505R23702	LOWER HINGE H650/H700	CERNIERA INFERIORE	
8	095327	505R23803	UPPER HINGE H650/H700	CERNIERA SUPERIORE	
9	087667	514746701	PIN FOR DOOR	PERNO PER CERNIERA INFERIORE	
10	089146	800735200	DOOR OPENING END COURSE	PIASTRINA FERMO BATTUTA PORTA	
11	081807	549700000	UPPER DOOR BUSH	BOCCOLA X CERNIERA SUPERIORE	
11a	087955	549703000	LOWER DOOR BUSH	BOCCOLA X CERNIERA INFERIORE	
15	095366	835R53802	FOAM PILLAR ASS. - DRAWERS	TRAVERSA CASSETTO 1/ E 1/2 BT	CL only freezer
16		0543R18001	FRAME FOR PILLAR DRAWERS	CORNICI MONTANTE CASSETTO	CL
17	095267	832R23300	RIGHT SUPPORT DRAWERS	CARRELLO DX PER MOD.CASSETTI	CL
18	095266	832R23200	LEFT SUPPORT DRAWERS	CARRELLO SX PER MOD.CASSETTI	CL
19	095655	548R13100	GASKET DRAWER 1/2	GUARNIZ.CASS.1/2 TAV NGC H700	CL
20	095873	833R40700	1/2 DRAW+GUIDES	INVOLUCRO CON GUIDE	CL
21	096136	833R40900	1/2 SUPPORT +GUIDE ASSEMBLY	SUPP. TELAIO DX E SX CASS.1/2-2/3	CL
22	095833	835R63902	FOAMED FRONT DRAW. 1/2 APX	ASS.CASS.1/2 SCHIUM. APX	CL
23	095267	832R23300	RIGHT SLIDING GUIDE	GUIDA SCORREVOLE DX	BL
24	095266	832R23200	LEFT SUPPORT DRAWERS	CARRELLO SX PER MOD.CASSETTI	BL
27	095655	548R13100	GASKET DRAWER 1/2	GUARNIZ.CASS.1/2 TAV NGC H700	BL
28	095873	833R40700	1/2 DRAW+GUIDES	INVOLUCRO CON GUIDE	BL
29	096136	833R40900	1/2 SUPPORT +GUIDE ASSEMBLY	SUPP. TELAIO DX E SX CASS.1/2-2/3	BL
33	096128	835R70401	FOAMED DOOR ASSEMBLY H650 BL	PORTA SCHIU. CON GUARNIIONE BL	BL
34	096131	835R70501	1/2 FO. DRAWER ASSEMBLY BL H650	ASS.CASS.1/2 SCHIUMATO	BL

*= On demand

Range CL& BL freezer



Pos	Code	Factory code	Description	Descrizione	Ref/notes
Control panel			Pannello di controllo		
1		503R58702	TRAY SUPPORT REMOTE MODEL	SUPPORTO BACINELLA	A304
2	096633	503R63800	EXTERNAL SIDE PANEL H700 RIGHT	PANNELLO ESTERNO DX	
3		503R36000	CONTROL PANEL "R" REM. VERS.CL	CRUSCOTTO SENZA COMPONENTI	
4	095565	503R68400	IR34 COVER (REMOTE) CL VERS.	PROTEZIONE TERMOREGOLATORE	
5	093434	646R11101	TERMOREGOLAT. IR33 IMEL1J0559	CONTROLLORE IR33	4 relays - Up to 2023/16 order KIT 097750, see TB VTX2023_08
5	097579	855R18401	TERMOREGOLAT. IJF SMALL	CONTROLLORE IJF SMALL	From 2023/17
6	095618	755R15100	MEMB.COUNTERS CL REM APX R BT	MEM CON TASTI X TERM. "R" APX	
8		639710400	PROTECTION WIRING 35/47 MM	PASSACAVO COLORE NERO 35/47	
12		598R42202	ADHESIVE DECOR ELUX	MARCHIO ADESIVO ELECTROLUX	BL
13		598R42303	STICKER ALPENINOX BL	MARCHIO ADESIVO ALPENINOX	BL
14		598R42101	STICKER ZANUSSI BL	MARCHIO ADESIVO ZANUSSI	BL